



ALARMS & INDICATION

4-1/2 DIGIT BLACK / AMBER / GREEN / RED DISPLAY LPI-3C, LPI-3C-A, LPI-3C-G OR LPI-3C-R

DESCRIPTION

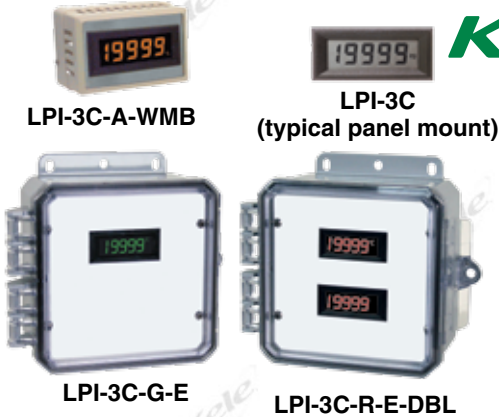
The Kele LPI-3C display is a 4-20 mA, brightly lit, 4-1/2 digit display. Along with standard black digits, amber, green, and red (powered by 24 VDC) are also available. The Model LPI-3C also features jumper-selectable built-in engineering units of °F, °C, PSI, %, or no units. For those units with colored digits, the same 24 VDC power supply can be used to provide power to the 4-20 mA loop and the display.

FEATURES

- Indication of 4-20 mA signal in desired scale
- Optional, bright 4-1/2 digit LCD colored display
- Available in black, amber, green, or red digits
- Snap-in panel mounting
- Easy-to-read digits
- NEMA 4X enclosure available
- Precalibrated for desired range
- Negative-to-positive indication
- Jumper-selectable engineering unit display

SPECIFICATIONS

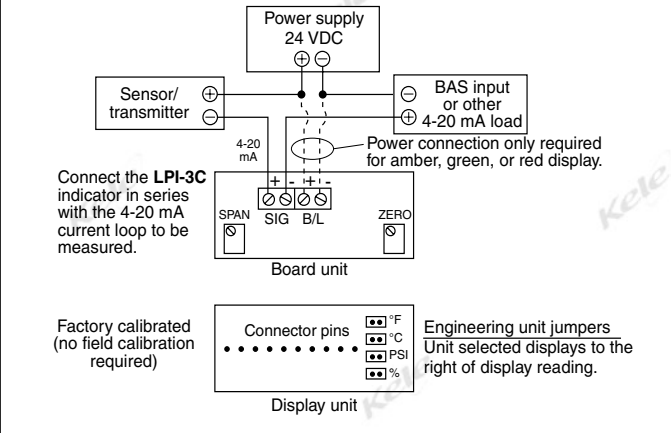
Supply Voltage	24 VDC @ 35 mA for colored digits
Accuracy	0.1% FS
Input Signal	Loop-powered 4-20 mA signal
Input Impedance	300Ω nominal @ 24 VDC
Range	-19999 to +19999, D.A. Only
Digit Size	0.5" (1.27 cm) LCD
Decimal Point	Four positions or none (1.0.0.0.0)
Panel Clearance	1.97" (5.00 cm)
Cutout Requirement	1.00"H x 2.40"W (2.54 x 6.10 cm)
Operating Temperature	32° to 122°F (0° to 50°C)
Operating Humidity	95% non-condensing
Dimensions	
Display	1.11"H x 2.51"W (2.82 x 6.38 cm)
E (NEMA 4X)	6.0"H x 6.0"W x 3.0"D (15.2 x 15.2 x 7.62 cm)
WMB	2.12"H x 3.12"W x 1.75"D (5.4 x 7.94 x 4.45 cm)
Weight	0.14 lb (0.06 Kg) (Display only)
Approvals	RoHS, Except: (LPI-3CA)
Warranty	1 year



APPLICATION

- Temperature
- Humidity
- Pressure
- Differential or static pressure
- Kilowatt demand
- Gallons per minute
- Voltage
- Current
- Many other 4-20 mA applications

WIRING



ORDERING INFORMATION

Displays are custom calibrated at no charge and require specification of input scale (mA), range, engineering units, and decimal point placement.

MODEL	DESCRIPTION
LPI-3C	4-1/2 digit LCD panel display*
-	4-1/2 digit display with black digits
A	4-1/2 digit display with amber digits. (This unit not RoHS compliant)
G	4-1/2 digit display with green digits
R	4-1/2 digit display with red digits
-	No enclosure
E	4-1/2 digit LCD panel display with NEMA 4X enclosure
WMB	4-1/2 digit LCD panel display with small enclosure
E-DBL	Two 4-1/2 digit LCD panel displays in a single NEMA 4X enclosure

LPI-3C - A - E-DBL Example: LPI-3C-A-E-DBL Two amber 4-1/2 digit LCD displays mounted in a single enclosure.

RELATED PRODUCTS

DCP-1.5-W	Power supply, 24 VAC IN to 24 VDC OUT
D CPA-1.2	Power supply, 120 VAC In to 24 VAC/24 VDC Out
GP-3420	LPI-1C, LPI-3C, VPI-1C mounting goof plate, 3.40" x 2.00" (8.6 x 5.1 cm)
GP-3430	LPI-1C, LPI-3C, VPI-1C mounting goof plate, 3.40" x 3.00" (8.6 x 7.6 cm)